

12V Low Saturation Voltage Stepper Motor Driver

FEATURES

- V_{CC} max=20V, I_o max=1A
- 4V to 16V Operating Supply Voltage Range
- DMOS Output Transistor Adoption (Upper and lower total R_{ON} <1 Ω typ.)
- 0 Current Consumption @ Standby Mode
- Built-in Over-current Protection
- Built-in Over-temperature Protection
- Built-in Under Voltage Lockout
- Small Package is Adopted: SSOP10

APPLICATIONS

- Refrigerator
- Flatbed Scanner, Document Scanner
- POS Printer, Label Printer
- PoE Point of sales Terminal
- Clothes Dryer
- Vacuum cleaner
- Time Recorder

TYPICAL APPLICATION

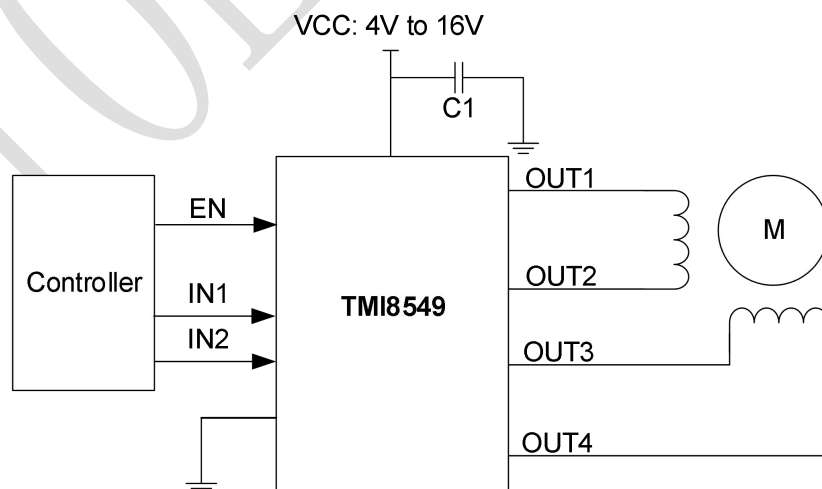


Figure 1. Example of application circuit when one stepper motor driving