

1.5A, Low Voltage H-Bridge Motor Drive

FEATURES

- Support the input voltage range:
Motor power: 1.8V~12 V
Control power supply: 1.8V~7V
- LDMOS R_{dson} (HS+LS) 650mΩ (typical)
- Ultra-low power sleep mode
- 45nA (typ.) VM sleep mode current
- 17nA (typ.) VCC sleep mode current
- Maximum 1.5A current output capacity
- Built-in UVLO Protection
- Built-in Over Temperature Protection
- Built-in Short Circuit Protection
- Built-in Over Current Protection
- Built-in Charge Pump
- DFN2*2-8 package

GENERAL DESCRIPTION

TMI8837 is a low voltage DC motor driver IC. Internal integration 650mΩ (HS+LS) H bridge NMOS switch, which can support the 1.8V~12V input voltage range. The maximum current capacity is up to 1.5A, support for ultra-low power sleep mode; built-in UVLO, Thermal Shutdown, OCP protection circuit. TMI8837 can be used in camera, toys and consumer products.

APPLICATIONS

- Cameras
- Toys
- Consumer Products

TYPICAL APPLICATION

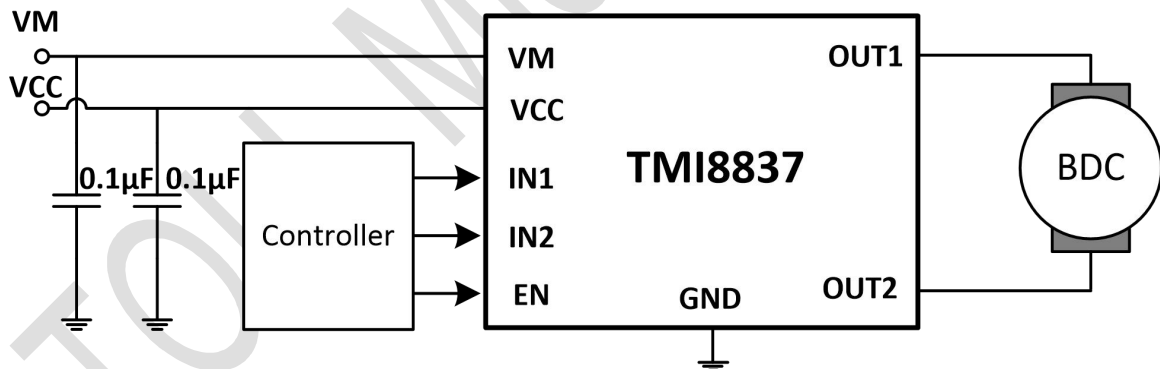


Figure 1. Basic Application Circuit